

VISION-3 LIGHTING

Side Mount MR16 Flood **MODEL FL14** 120/277 Volt, 75 Watt Max., MR16 Halogen

Specifications:

Body: Machined 6061-T6 aluminum or C36000 brass body with 18-8 stainless steel hardware. Machined 6061-T6 aluminum or C36000 brass side mount knuckle is pressed into body and sealed with a high temperature silicone O-ring.

Knuckle: Machined 6061-T6 aluminum or C36000 brass mounting knuckle with a 1/2" NPS threaded male fitting allows a full range of mounting positions. Double taper design (U.S. Patent #6,966,679) allows fixture to hold position during aiming and ensures a solid lock when tightened. Integral high temperature silicone O-ring prevents leaking between housing and knuckle. Available Rotate and Lock option (U.S. Patent #7,108,405 & #7,458,552) allows for full 360° horizontal aiming and locking. See Model MO7 - Rotate and Lock submittal for specifications.

Cap: Machined 6061-T6 aluminum or C36000 brass caps come in three styles, lock in place with one 18-8 stainless steel set screw, and are sealed to the body with a high temperature silicone O-ring. Regressed caps have drain holes for water drainage from top of lens if mounted in the up position. All caps accept up to three internal accessories, held in place by a stainless steel clip.

Electrical: Includes an integral 75VA, 12V output, magnetic transformer with 120V or 277V, 60Hz input.

Finish: TGIC thermo set polyester powder coat paint available in 14 standard colors. On aluminum model, finish is applied over a corrosion resistant, hexavalent chromium free, RoHS compliant coating. Aluminum model available in one additional metal finish: Clear Anodized. Brass model available in three additional metal finishes: Natural, Polished, and Aged.

Socket: GY-6.35 porcelain socket with 600V, 250°C, PTFE coated 18 ga leads.

Lamp: 12 Volt Bi-pin MR16 halogen up to 75 watts (Maximum allowable wattage depends on model and application. See **Certification** heading).

Lens: 1/8" thick, tempered, clear lens, secured to cap with a high temperature, UV curing, silicone adhesive.

Certification: CSA tested & certified to US and Canadian safety standards for the following applications:

Wet location landscape use (UL1598):

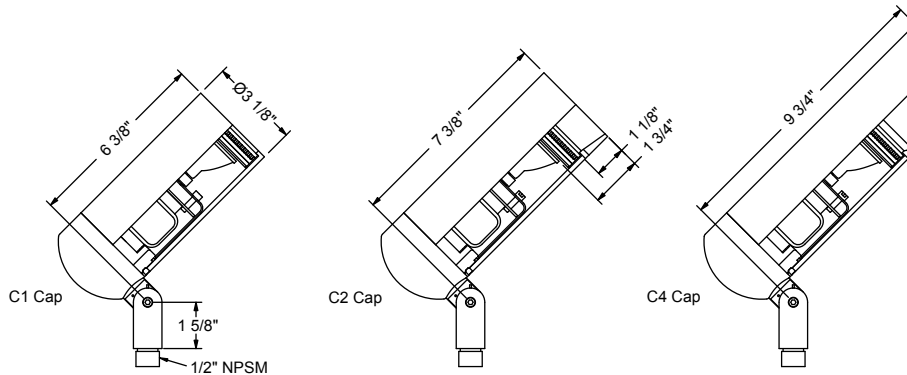
FL14A - 75W Max. MR16 Halogen lamp.

FL14B - 50W Max. MR16 Halogen lamp.

Wet location wall mount use (UL1598):

FL14A - 75W Max. MR16 Halogen lamp.

FL14B - 50W Max. MR16 Halogen lamp.



Ordering Information:

Model	Finish	Cap Style	Knuckle	Transformer	Lamp ¹	Lens Accy	Filter	Louver
FL14A - Aluminum	BL - Black	C1 - Flush	K1 - Standard ²	120 - 120 Volt Input	0 - None	0 - None	0 - None	0 - None
FL14B - Brass	BLT - Textured Black	C2 - Regress Lens	K2 - Rotate & Lock ²	277 - 277 Volt Input	MR16 Halogen:	L1 - Spread Lens	F1 - Red	H1 - Honeycomb Louver
	BN - Bronze	C4 - 45° Angled			01 - ESX, 20W, 12° Narrow Spot	L2 - Linear Lens	F2 - Blue	
	BNT - Textured Bronze				02 - BAB, 20W, 40° Flood	L3 - Softening Lens	F3 - Light Blue	
	BAT - Textured Bark				03 - FRB, 35W, 12° Narrow Spot		F4 - Green	
	WI - White				04 - FRA, 35W, 23° Narrow Flood		F5 - Amber	
	GRT - Textured Green				05 - FMW, 35W, 40° Flood		F6 - Pink	
	SI - Silver				09 - EXT, 50W, 13° Narrow Spot			
	GY - Grey				10 - EXZ, 50W, 26° Narrow Flood			
	BE - Beige				11 - EXN, 50W, 40° Flood			
	GNT - Textured Granite				12 - FNV, 50W, 60° Wide Flood			
	SAT - Textured Sand				13 - EYF, 75W, 13° Narrow Spot			
	PAT - Textured Patina				14 - EYJ, 75W, 26° Narrow Flood			
	EAT - Textured Earth				15 - EYC, 75W, 44° Flood			
	CLA - Clear Anodized (FL14A only)							
	NAT - Natural (FL14B only)							
	POL - Polished (FL14B only)							
	AGE - Aged (FL14B only)							

Notes:

1. Allowable wattage depends on model and application. See **Certification** heading above.
2. K1 knuckle is protected under U.S. Patent #6,966,679. K2 knuckle is further protected under U.S. Patent #7,108,405 & #7,458,552.
3. Specifications, certifications, and ordering information are subject to change. Please check website for latest specification sheets.

Example: FL14A - BN - C2 - K2 - 277 - 06 - 0 - 0 - H1